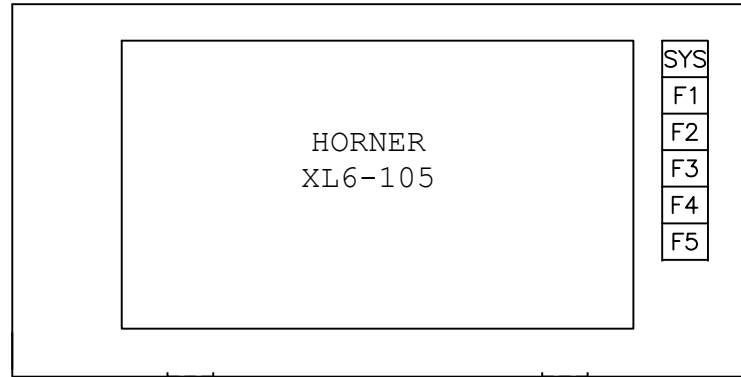


EXAMPLE CONTROL SYSTEM  
ELECTRICAL DRAWINGS  
PUMP STATION



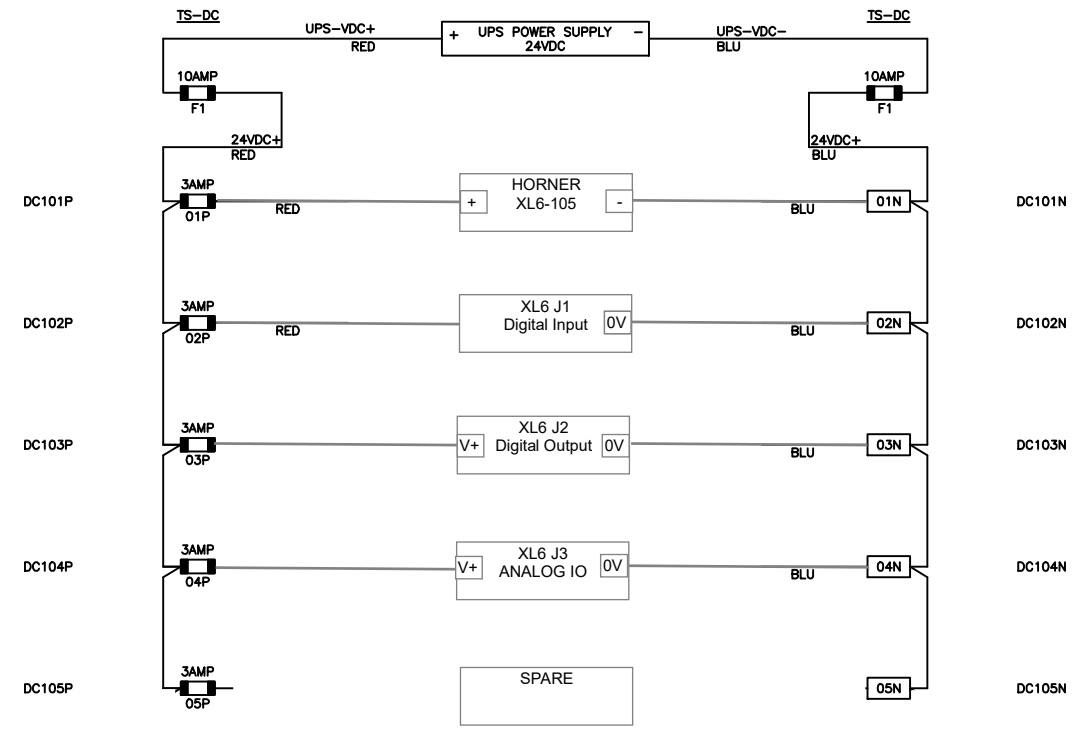
MJ1 PORT  
RS-232 PROGRAMMING PORT  
CSCAPE 9.7

MJ2 PORT  
RS-232 MODBUS RTU  
BAUD 19,200  
DATA BITS 8  
PARITY NONE  
STOP BITS 1

LEGEND:

NOTE:

POWER DISTRIBUTION DIAGRAM




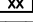




LEGEND:

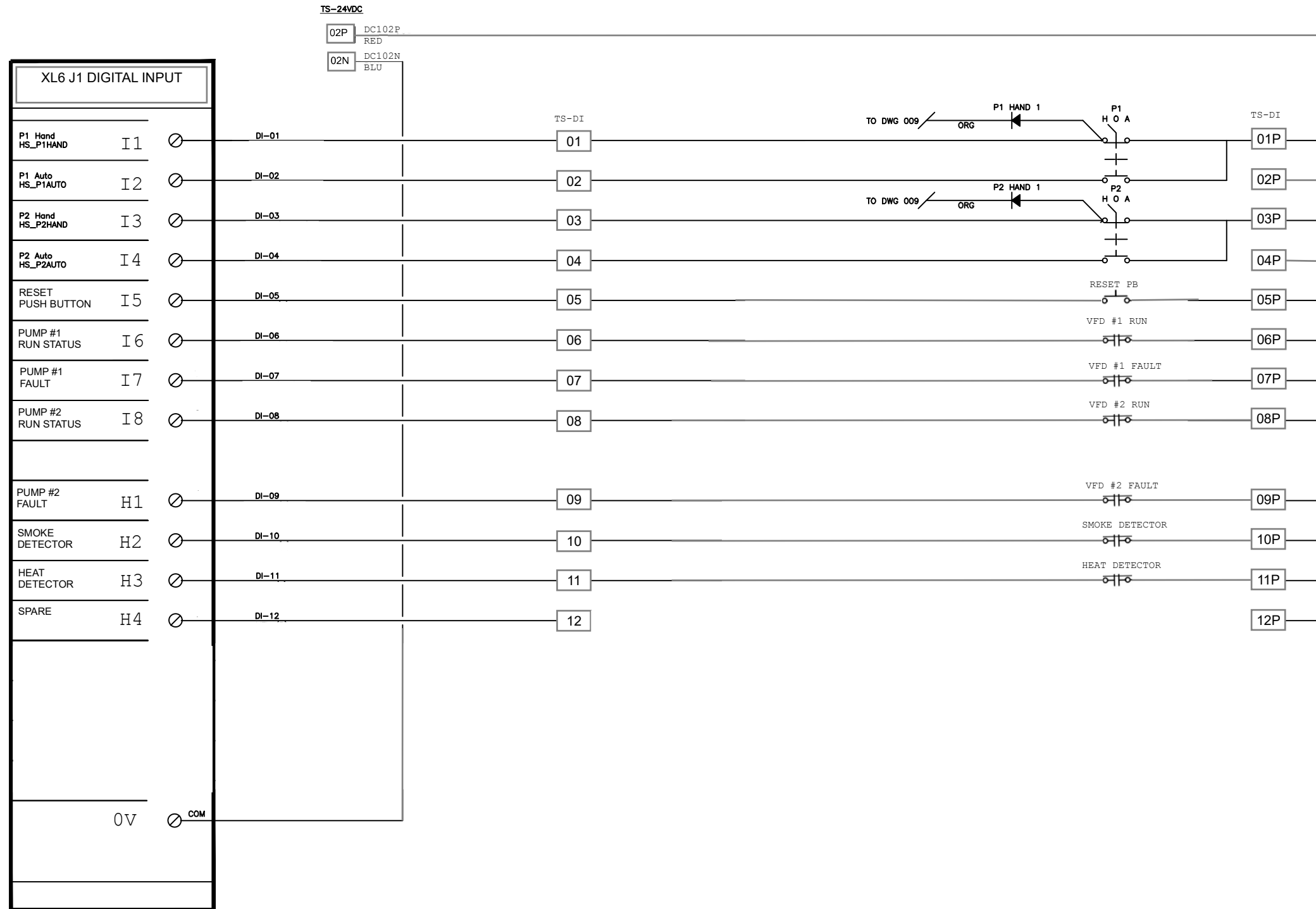
- DEVICE TERMINAL
- XX TERMINAL BLOCK
- FUSE TERMINAL
- FUSE TERMINAL WITH INDICATOR
- PANEL/VENDOR WIRING
- FIELD WIRING

NOTE:

UNIT CONTROL PANEL TERMINALS

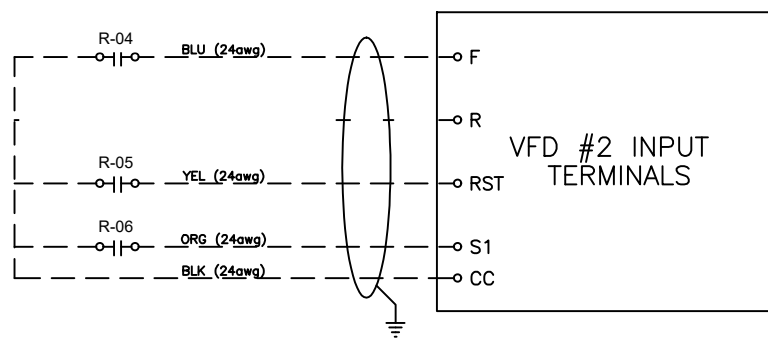
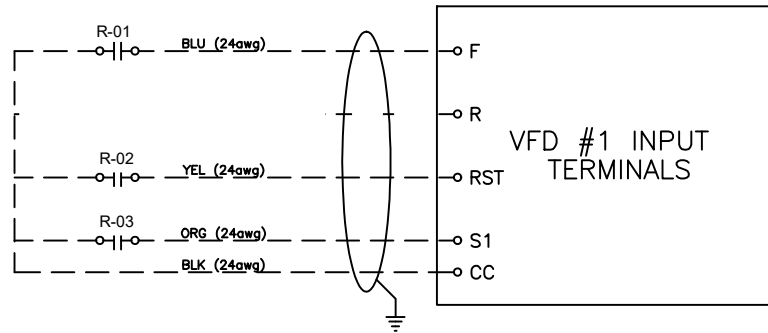
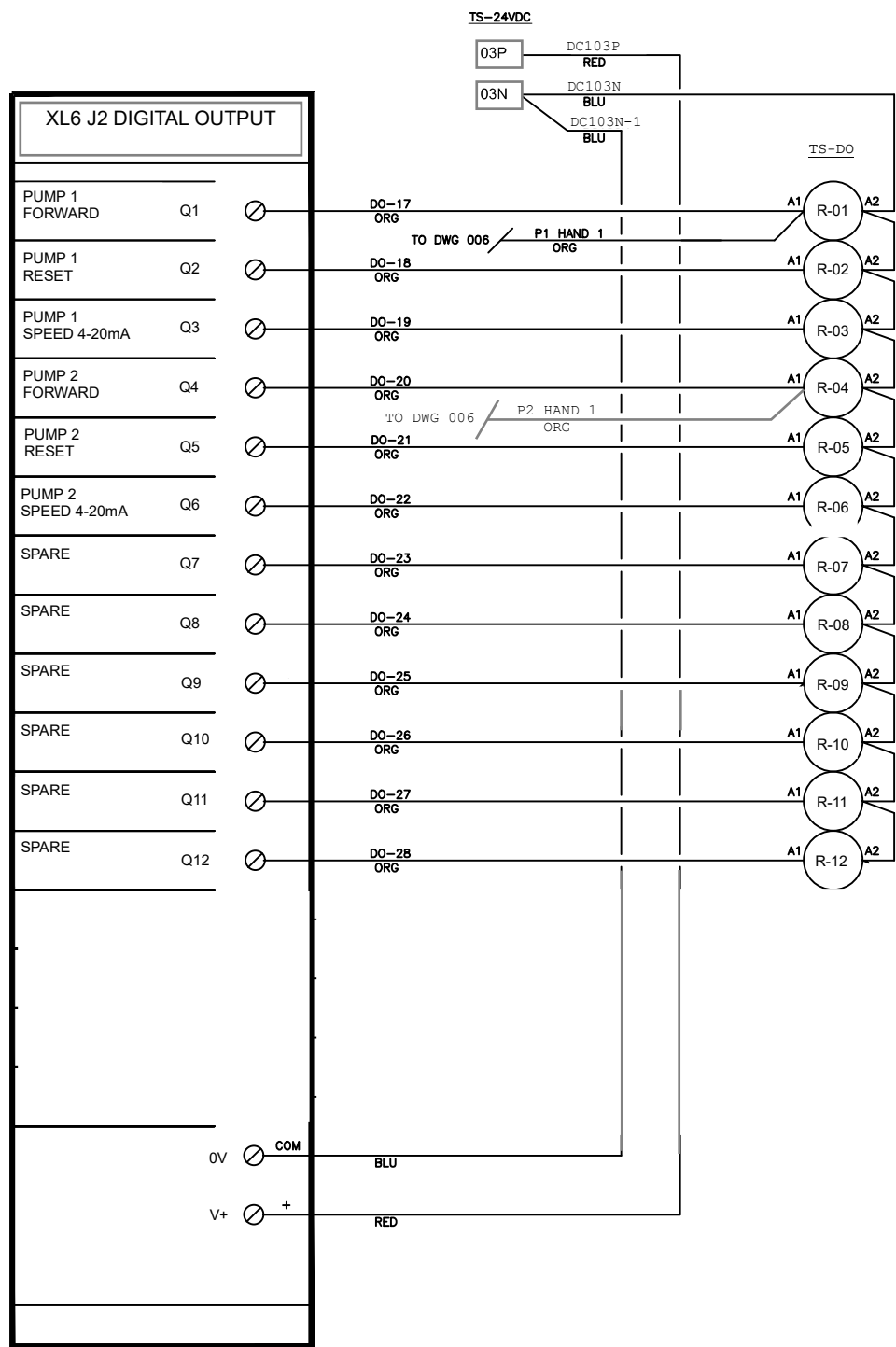
LEGEND:

-  DEVICE TERMINAL
-  TERMINAL BLOCK
-  FUSE TERMINAL
-  FUSE TERMINAL WITH INDICATOR
-  PANEL/VENDOR WIRING
-  FIELD WIRING



NOTE:

UNIT CONTROL PANEL TERMINALS




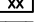




LEGEND:

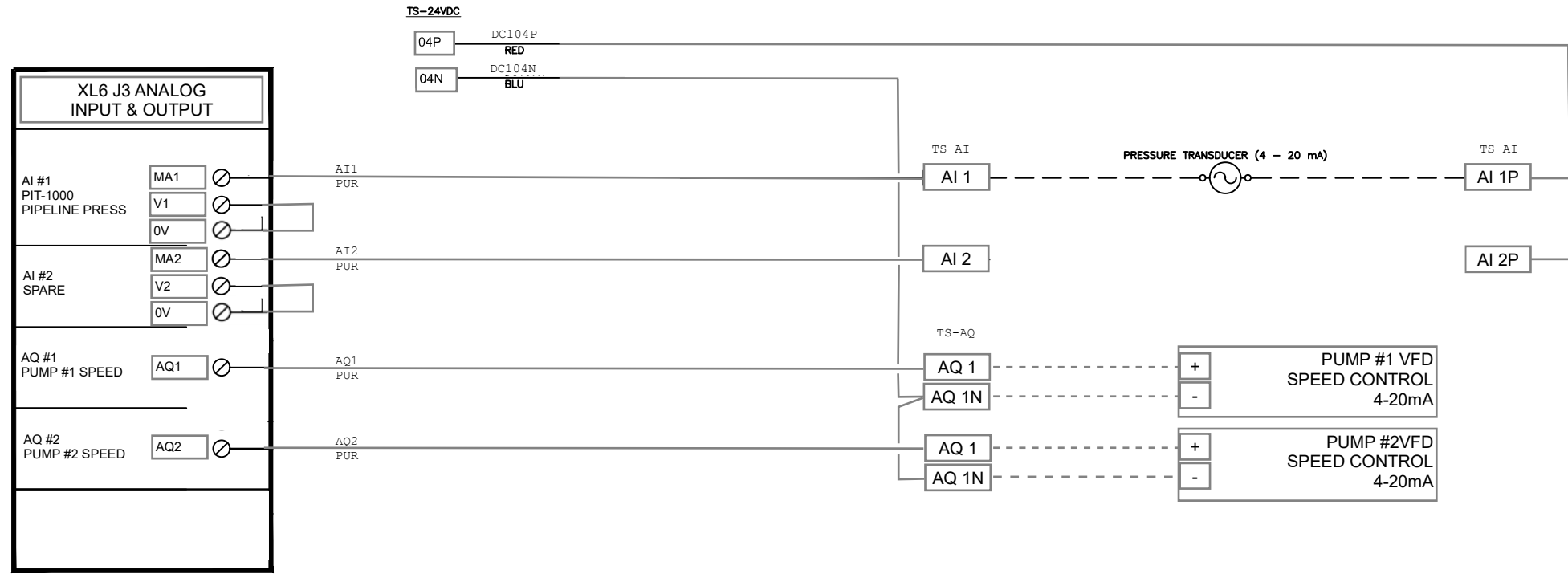
- DEVICE TERMINAL
- TERMINAL BLOCK
- FUSE TERMINAL
- FUSE TERMINAL WITH INDICATOR
- PANEL/VENDOR WIRING
- FIELD WIRING

NOTE:

UNIT CONTROL PANEL TERMINALS

LEGEND:

-  DEVICE TERMINAL
-  TERMINAL BLOCK
-  FUSE TERMINAL
-  FUSE TERMINAL WITH INDICATOR
-  PANEL/VENDOR WIRING
-  FIELD WIRING



NOTE: